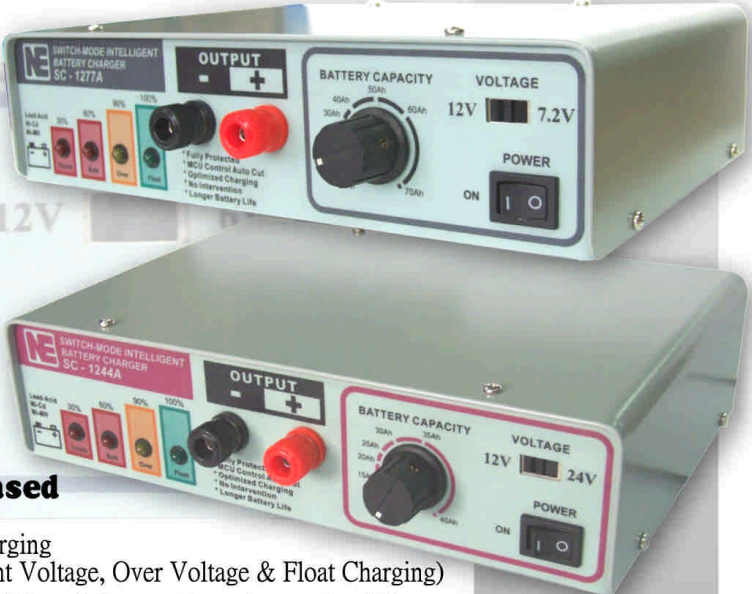


**SC
SERIES**

SWITCH-MODE INTELLIGENT BATTERY CHARGER

*A Real Intelligent Battery Charger!
Its Sophisticated Functions Let Everyone Become An Expert!*

- SC-1267A**
- SC-1277A**
- SC-1244A**
- SC-1215A**
- SC-1248A**



Features:

Microcontroller Based

- ◆ 3-Level 4-Stage Adaptive Charging (i.e. Constant Current, Constant Voltage, Over Voltage & Float Charging) Maintain battery at good condition, full capacity and operating life
- ◆ Pulse Charging with Periodic Battery Voltage and Current Monitoring
- ◆ Standby Mode With No Output Charging Pulse
- ◆ Pump Charge at 1st 40 Seconds in Standby Mode for Over Discharge Batteries
- ◆ Four Panel LEDs with Buzzer Alert

Switch-Mode Technology

Adjustable Charging Capacity

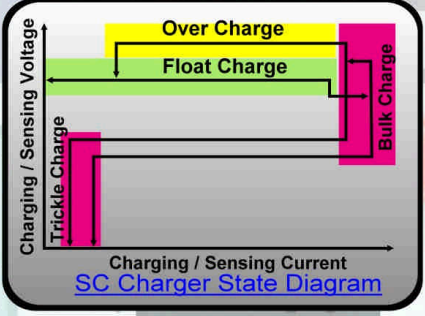
Suitable For 10Ah-150Ah Lead-Acid, Ni-Cd & Ni-MH Batteries

Ensure 100% Re-Charging

Full Weather Protections

Short Circuit, Battery Polarity Reverse, Wrong Battery Voltage and Over Temperature Protections

1.5kg Light Weight! (SC-1215A/SC-1248A 1.7kg)



NEURON TECHNOLOGY LIMITED

Room 21, 8/F., Goldfield Industrial Centre, 1 Sui Wo Road, Fo Tan, Shatin, N.T. Hong Kong
 Tel : (852) 2688 6400 E-mail : sales@neuron.com.hk Web Site : www.neuron.com.hk
 Fax : (852) 2688 6404 enquiry@neuron.com.hk

Features:

- Switch-Mode Technology
- Compact, Light Weight & High Efficiency
- Microcontroller Based
- Fully Automatic Charging Without Intervention
- 3-Level 4-Stage Adaptive Charging
- Pulse Charging with Periodic Battery Voltage and Current Monitoring
- Suitable for Lead Acid, Ni-Cd and Ni-MH Batteries
- Adjustable Battery Charging Capacity
- Ensure 100% Re-Charging and Maintain Longer Battery Life
- Automatic Battery Sensing
- Pump Charge at 1st 40 Seconds in Standby Mode for Over Discharge Batteries
- No Output When No Battery Is Connected
- Short Circuit, Battery Polarity Reverse, Wrong Battery Voltage and Over Temperature Protections
- Four Panel LEDs with Buzzer Alert

SPECIFICATIONS

Model	SC-1267A	SC-1277A	SC-1244A	SC-1215A	SC-1248A
Nominal Input AC Voltage	110V AC / 220V AC @ 60Hz/50Hz Selectable				
Input AC Voltage Range	85-135V AC / 170-265V AC				
On Board Fuse	T2AL 250V			T3.5AL 250V	
Battery Voltage	6V / 12V	7.2V / 12V	12V / 24V	6V / 12V	12V / 24V
Charging Capacity	10-70Ah	10-70Ah	10-40Ah	35-150Ah	35-80Ah
Max. Charging Current	7A	7A	4A	15A	8A
Efficiency	> 80%				
Charging Method	3-Level 4-Stage Adaptive Charging				
Indications & Alert	4-LED Charger Status & Buzzer				
Protections	(1) Output Short Circuit (2) Battery Polarity Reverse (3) Wrong Battery Voltage (4) Over Temperature				
Cooling	Natural Convection			Force Air Cooling	
Operating Temperature	0 °C To +55 °C				
Dimensions (mm)	250(L)x180(D)x70 (H)			250(L)x195(D)x70 (H)	
Weight	1.5 Kg			1.7Kg	

Neuron Technology Ltd.

Room 21, 8/F., Goldfield Industrial Centre, 1 Sui Wo Road, Fo Tan, Shatin, N.T. Hong Kong

Tel. (852) 2688 6400

Fax. (852) 2688 6404

Email: enquiry@neuron.com.hk

Home Page: <http://www.neuron.com.hk>